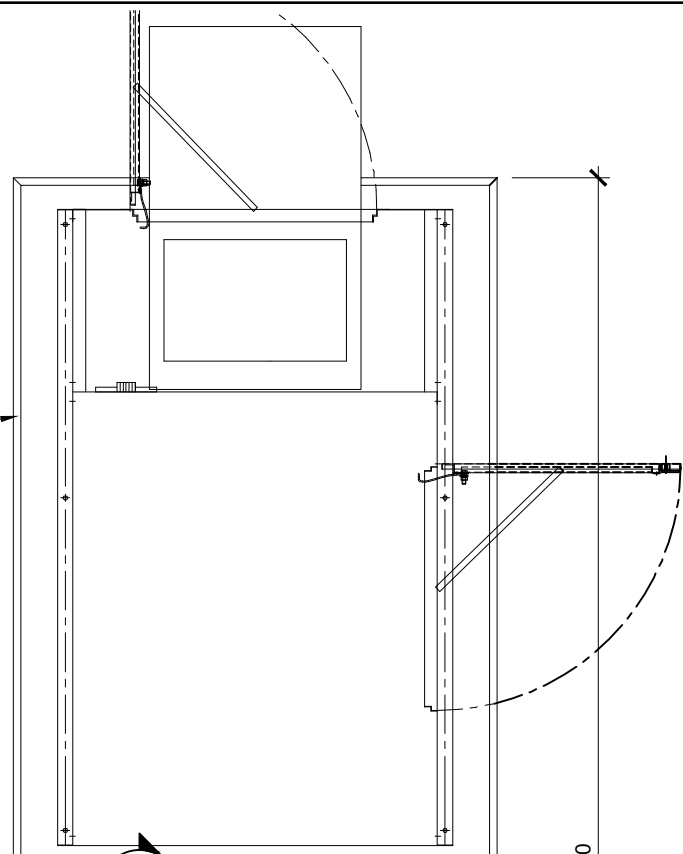
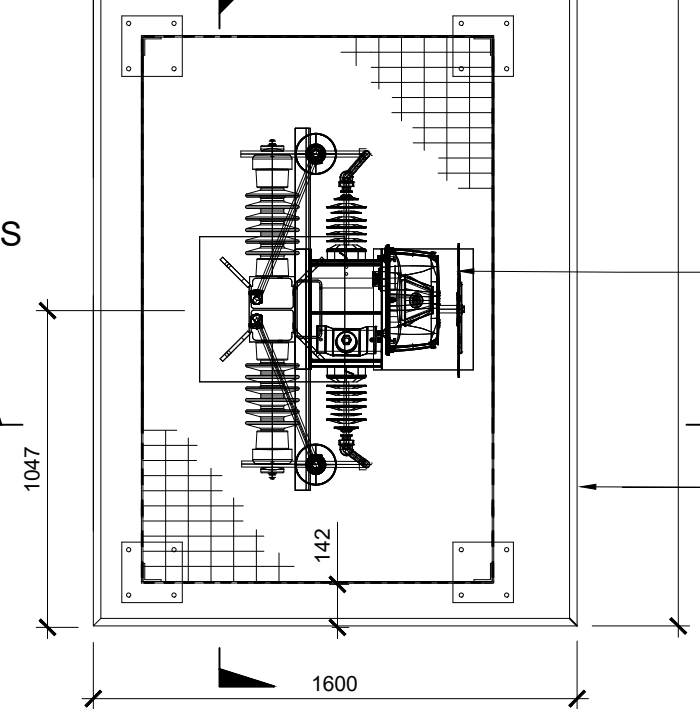


FOR DETAILS OF NER SEE  
DRG NO.  
PE492-D282-016-016-000

NER



NES

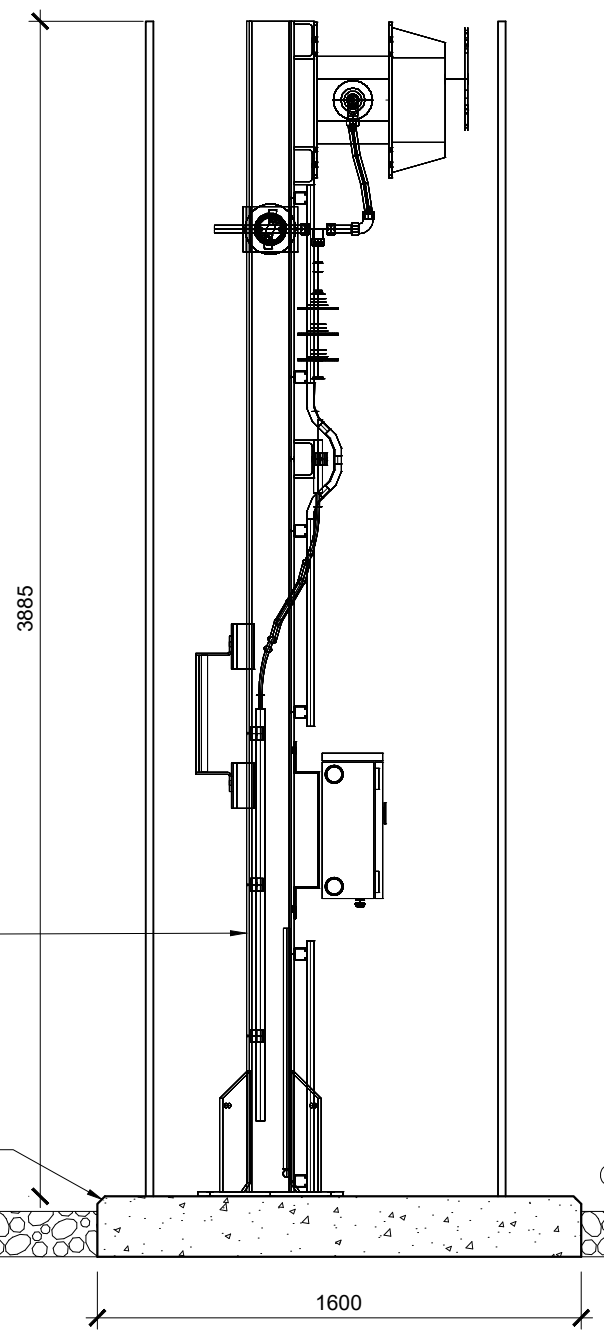


**PLAN ON NES**  
SCALE 1:25

NEUTRAL EARTH SWITCH



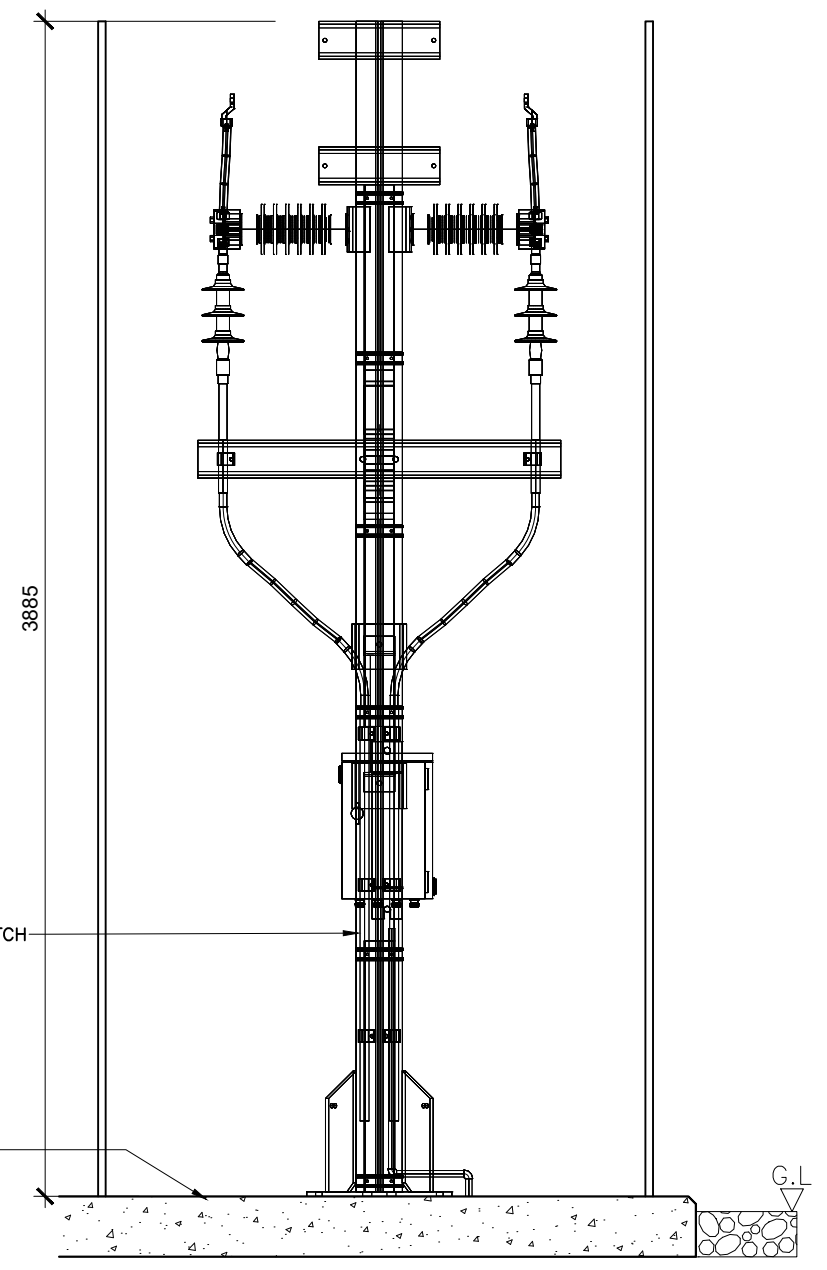
CONCRETE BASE



**SECTION A**  
SCALE 1:25

NEUTRAL EARTH SWITCH

CONCRETE BASE



**SECTION B**  
SCALE 1:25

Rev	Date	Revision description	Drn.	Prod.	Ver.	App.
1	JUL '25	ISSUED FOR PLANNING				
0	AUG '24	ISSUED FOR REVIEW	JB	KP	JD	BM

Purpose of issue - Preliminary unless indicated  
 Client Approval  Planning  Tender  Construction  As-Built



**Engineering and Major Projects,**  
One Dublin Airport Central,  
Dublin Airport, Cloughran,  
Co. Dublin, K67 XF72, Ireland.  
Tel: 353 1 703 8000 Web: www.esb.ie  
Engineering and Major Projects is a  
division of ESB.

<b>Client</b>	<b>ESB NETWORKS</b>
<b>Project</b>	<b>FOSTERSTOWN 110 kV SUBSTATION</b>
<b>Contract</b>	<b>I_TM0342B</b>

<b>Drawing title</b>	<b>FOSTERSTOWN 110 kV SUBSTATION PROPOSED NES DETAILS PLANNING</b>
<b>Production unit</b>	<b>Transmission and Distribution Delivery</b>

<small>COPYRIGHT © ESB ALL RIGHTS RESERVED. NO PART OF THIS WORK MAY BE MODIFIED, REPRODUCED OR COPIED IN ANY FORM OR BY ANY MEANS GRAPHIC, ELECTRONIC OR MECHANICAL, INCLUDING PHOTOCOPIING, RECORDING, TAPING OR USED FOR ANY PURPOSE OTHER THAN ITS DESIGNATED PURPOSE, WITHOUT THE WRITTEN PERMISSION OF ESB.</small>				
<b>Drawn</b>	<b>Produced</b>	<b>Verified</b>	<b>Approved</b>	<b>Approval date</b>
J.Byrne	Pentony_Ki	L.McManus	S. Donnelly	02/07/2025
<b>Client ref.</b>	<b>No. of sheets</b>	<b>Size</b>	<b>Scale</b>	
TC230706	1	A3	1:25	
<b>Drawing number</b>				<b>SHEET</b>   <b>REV</b>
PE492-D282-016-015-001				